

CODE	Dn	D	L1	L2	L	H
12ECALE025	25	36	39,5	62,5	54	56
12ECALE032	32	45	36	67	52	65
12ECALE040	40	53	42	60	62,5	76,5
12ECALE050	50	68	46,5	96,5	61	88



EIOFIT

ITEM: **ECALE**

DESC: FINE LINEA ELETROSALDABILE MONOLITICO
MONOLITHIC ELECTROFUSION END CAP
PE100 SDR11 PFA/PN16

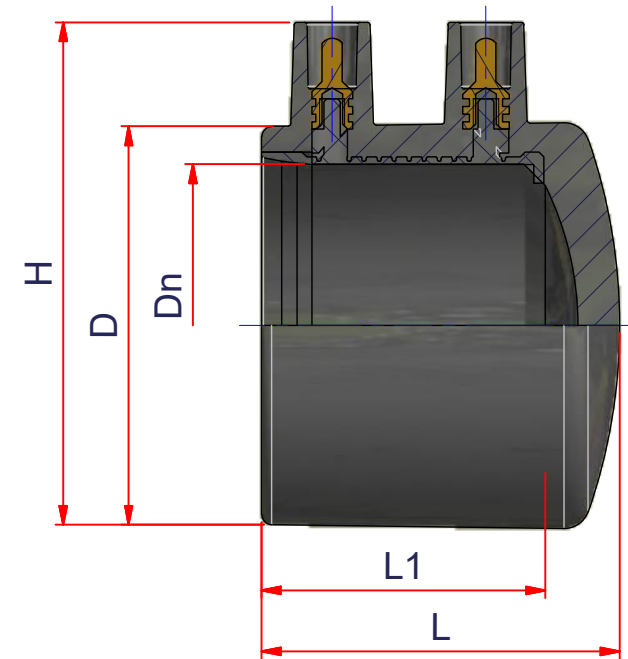


DRAWING No:
EL10043

SHEET OF REV.
1 3 -1

www.nupiindustriaitaliane.com - info@nupinet.com

All dimensions have to be considered in millimeters with 5% tolerance if not otherwise mentioned excluding values as per standard EN 1555 (gas) and/or EN 12201 (water)



CODE	Dn	D	L1	L2	L	H
12ECALE063	63	80,5	52	-	71	101



EIOFIT

ITEM: **ECALE**

C:\Vault_Temp\Disegni\Schede Tecniche\Eiofit metric\Electrofusion fittings\EL10043.dwg

DESC: FINE LINEA ELETROSALDABILE MONOLITICO
MONOLITHIC ELECTROFUSION END CAP
PE100 SDR11 PFA/PN16

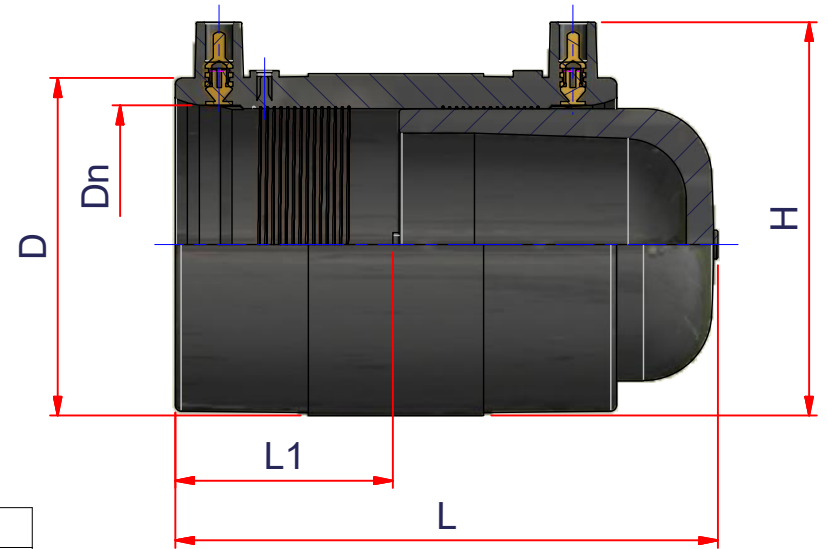


DRAWING No:
EL10043

SHEET OF	REV.
2 3	-1

www.nupiindustriaitaliane.com - info@nupinet.com

All dimensions have to be considered in millimeters with 5% tolerance if not otherwise mentioned excluding values as per standard EN 1555 (gas) and/or EN 12201 (water)



CODE	Dn	D	L1	L2	L	H
12ECALE020	20	33	34	-	91	53
12ECALE075	75	98	61	-	159	114
12ECALE090	90	113	72	-	180	130
12ECALE110	110	136	76,5	-	195	144
12ECALE125	125	156	82	-	210	168
12ECALE140	140	168	84	-	215	181
12ECALE160	160	191	87	-	230	201
12ECALE180	180	215	88	-	220	224
12ECALE200	200	236	92	-	265	243
12ECALE225	225	272	104	-	253	274
12ECALE250	250	296	106	-	256	300
12ECALE280	280	355	-	-	227	355
12ECALE315	315	400	-	-	328	400

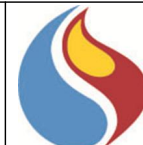


EIOFIT

ITEM: **ECALE**

C:\Vault_Temp\Disegn\ISchede Tecniche\Eiofit metric\Electrofusion fittings\EL10043.dwg

DESC: FINE LINEA ELETTRISALDABILE
ELECTROFUSION END CAP
PE100 SDR11 PFA/PN16



DRAWING No:
EL10043

SHEET OF REV.
3 3 -1

www.nupiindustriaitaliane.com - info@nupinet.com

All dimensions have to be considered in millimeters with 5% tolerance if not otherwise mentioned excluding values as per standard EN 1555 (gas) and/or EN 12201 (water)