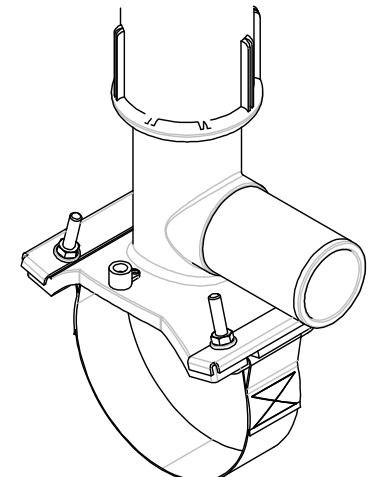
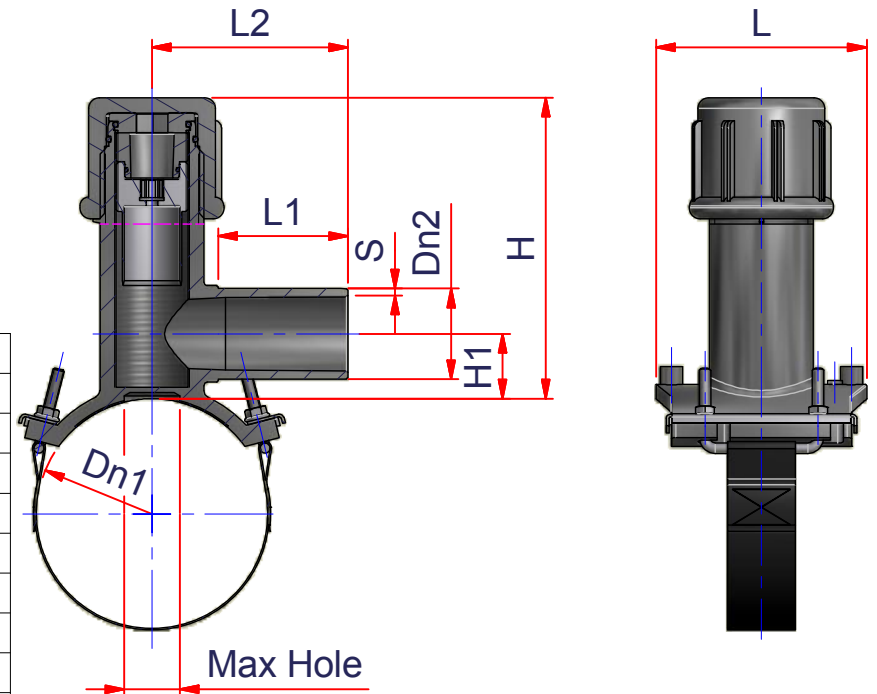


CODE	Dn1	Dn2	S	L1	L2	L	H1	H	Max Hole
12EPRES14020	140	20	3	70	105	116	30	125	24
12EPRES20020	200	20	3	70	105	116	30	125	24
12EPRES22520	225	20	3	70	105	150	42	165	24
12EPRES25020	250	20	3	70	105	150	42	165	24
12EPRES28020	280	20	3	70	105	150	42	165	24
12EPRES31520	315	20	3	70	105	150	42	165	24
12EPRES14025	140	25	3	70	105	116	30	125	24
12EPRES20025	200	25	3	70	105	116	30	125	24
12EPRES22525	225	25	3	70	105	150	42	165	24
12EPRES25025	250	25	3	70	105	150	42	165	24
12EPRES28025	280	25	3	70	105	150	42	165	24
12EPRES31525	315	25	3	70	105	150	42	165	24
12EPRES14032	140	32	3	70	105	116	30	125	24
12EPRES20032	200	32	3	70	105	116	30	125	24
12EPRES22532	225	32	3	70	105	150	42	165	24
12EPRES25032	250	32	3	70	105	150	42	165	24
12EPRES28032	280	32	3	70	105	150	42	165	24
12EPRES31532	315	32	3	70	105	150	42	165	24



EloFIT
nupigeco

www.nupigeco.com - info@nupigeco.com

ITEM: **EPRES**

C:\Vault_Temp\Disegni\Corinna\Tabelle\Elofit\Raccordi elettrosaldabili\Epres\EL10151.dwg

DESC: COLLARE DI PRESA IN CARICO CON CINGHIA
TAPPING TEE WITH BELT
PE100 SDR11 PFA/PN16

DRAWING No: **EL10151**

SHEET OF	REV.
1 3	-1

All dimensions have to be considered in millimeters with 5% tolerance if not otherwise mentioned