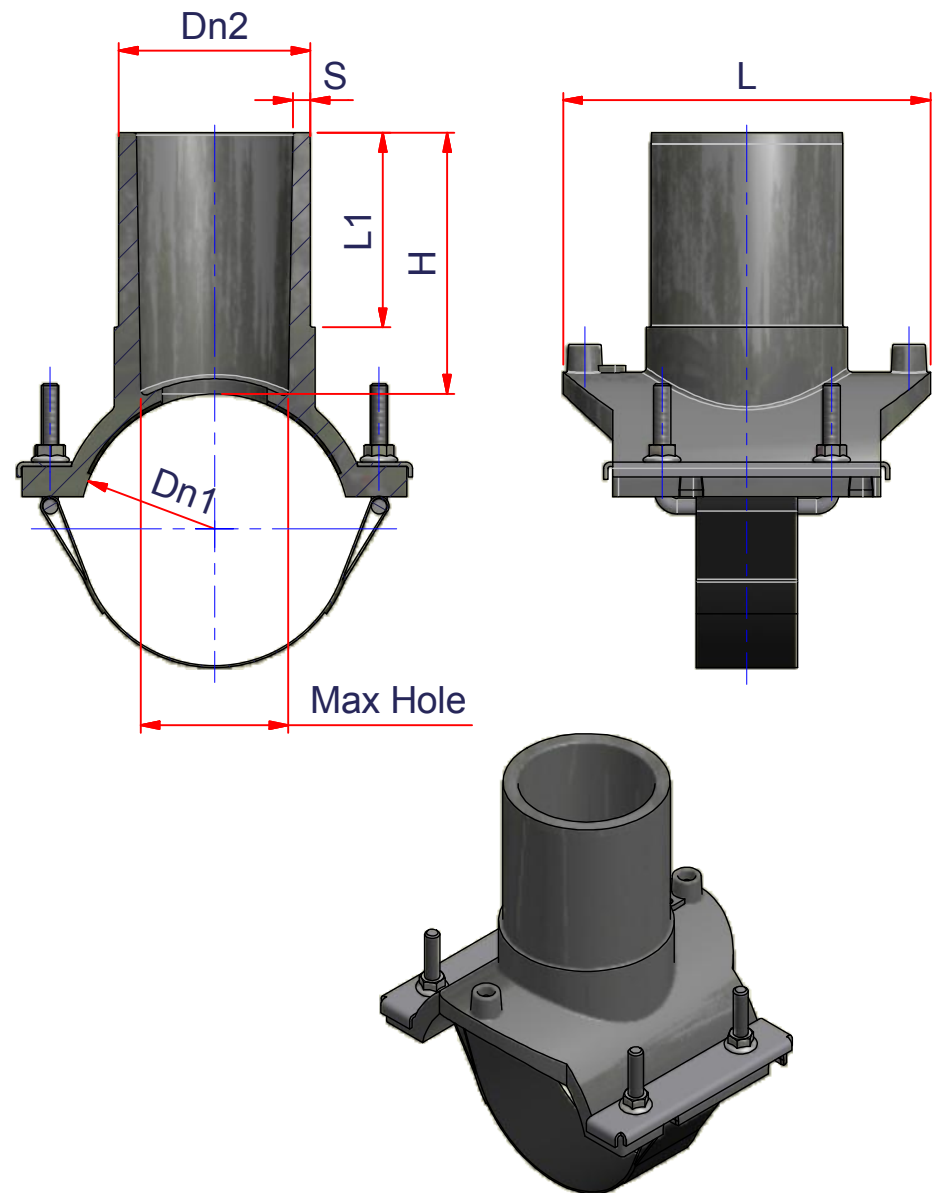
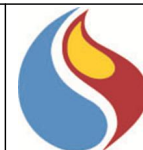


CODE	Dn1	Dn2	S	L1	L	H	Max Hole
12ECOL09020	90	20	3	65	140	100	13
12ECOL12520	125	20	3	65	140	100	13
12ECOL14020	140	20	3	65	140	100	13
12ECOL16020	160	20	3	65	140	100	13
12ECOL18020	180	20	3	65	140	100	13
12ECOL20020	200	20	3	65	140	100	13
12ECOL22520	225	20	3	65	140	100	13
12ECOL25020	250	20	3	65	140	100	13
12ECOL28020	280	20	3	65	140	100	13
12ECOL31520	315	20	3	65	140	100	13
12ECOL09025	90	25	3	65	140	100	16
12ECOL11025	110	25	3	65	140	100	16
12ECOL12525	125	25	3	65	140	100	16
12ECOL14025	140	25	3	65	140	100	16
12ECOL16025	160	25	3	65	140	100	16
12ECOL18025	180	25	3	65	140	100	16
12ECOL20025	200	25	3	65	140	100	16
12ECOL22525	225	25	3	65	140	100	16
12ECOL25025	250	25	3	65	140	100	16
12ECOL28025	280	25	3	65	140	100	16
12ECOL31525	315	25	3	65	140	100	16



ITEM: **ECOL**

DESC: COLLARE DI PRESA A TRONCHETTO CON CINGHIA
BRANCH SADDLE WITH BELT
PE100 SDR11 PFA/PN16



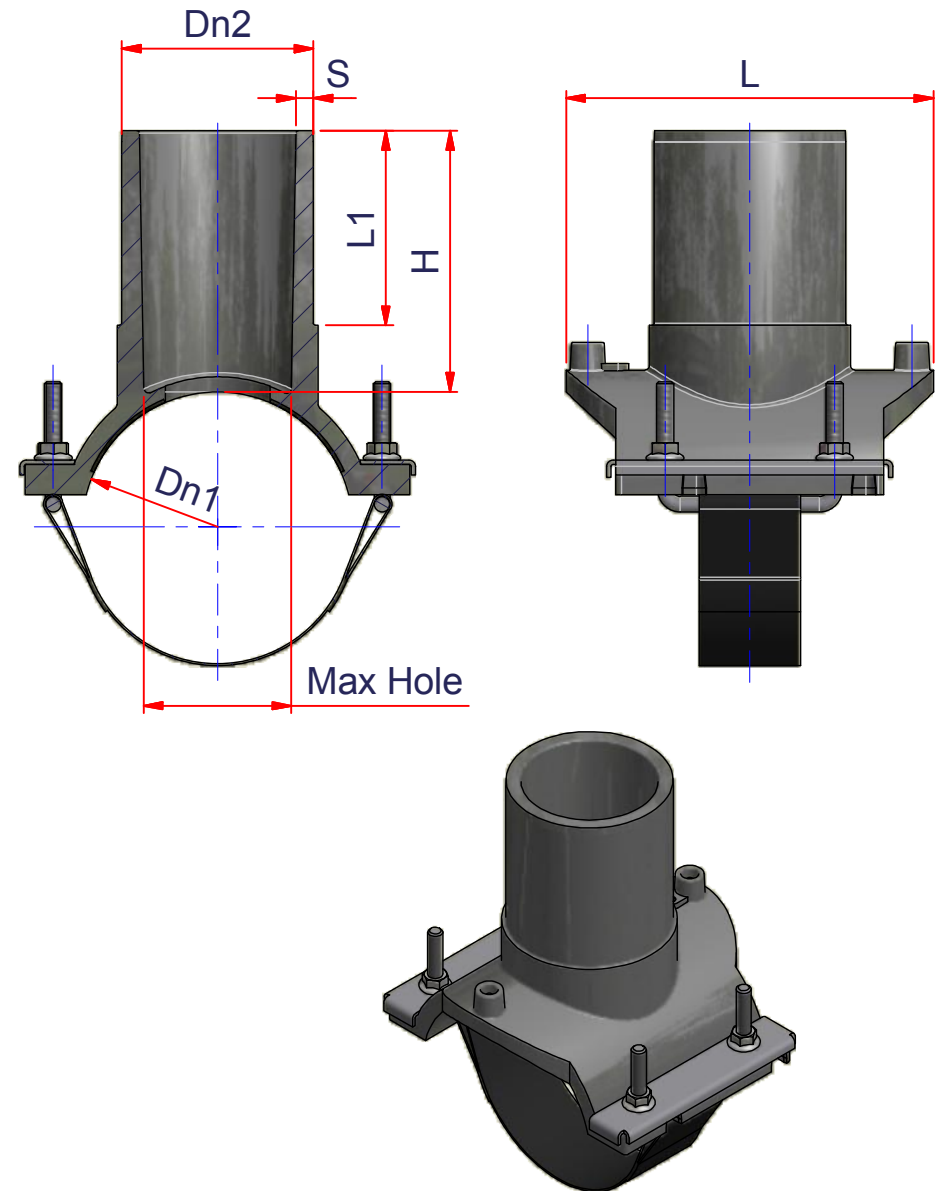
DRAWING No:
EL10158

SHEET OF REV.
1 5 -1

www.nupigeco.com - info@nupigeco.com

All dimensions have to be considered in millimeters with 5% tolerance if not otherwise mentioned

CODE	Dn1	Dn2	S	L1	L	H	Max Hole
12ECOL12532	125	32	3	65	140	100	22,5
12ECOL14032	140	32	3	65	140	100	22,5
12ECOL16032	160	32	3	65	140	100	22,5
12ECOL18032	180	32	3	65	140	100	22,5
12ECOL20032	200	32	3	65	140	100	22,5
12ECOL22532	225	32	3	65	140	100	22,5
12ECOL25032	250	32	3	65	140	100	22,5
12ECOL28032	280	32	3	65	140	100	22,5
12ECOL31532	315	32	3	65	140	100	22,5
12ECOL09040	90	40	3,7	65	140	100	30
12ECOL11040	110	40	3,7	65	140	100	30
12ECOL12540	125	40	3,7	65	140	100	30
12ECOL14040	140	40	3,7	65	140	100	30
12ECOL16040	160	40	3,7	65	140	100	30
12ECOL18040	180	40	3,7	65	140	100	30
12ECOL20040	200	40	3,7	65	140	100	30
12ECOL22540	225	40	3,7	65	140	100	30
12ECOL25040	250	40	3,7	65	140	100	30
12ECOL28040	280	40	3,7	65	140	100	30
12ECOL31540	315	40	3,7	65	140	100	30



ITEM: **ECOL**

DESC: COLLARE DI PRESA A TRONCHETTO CON CINGHIA
BRANCH SADDLE WITH BELT
PE100 SDR11 PFA/PN16



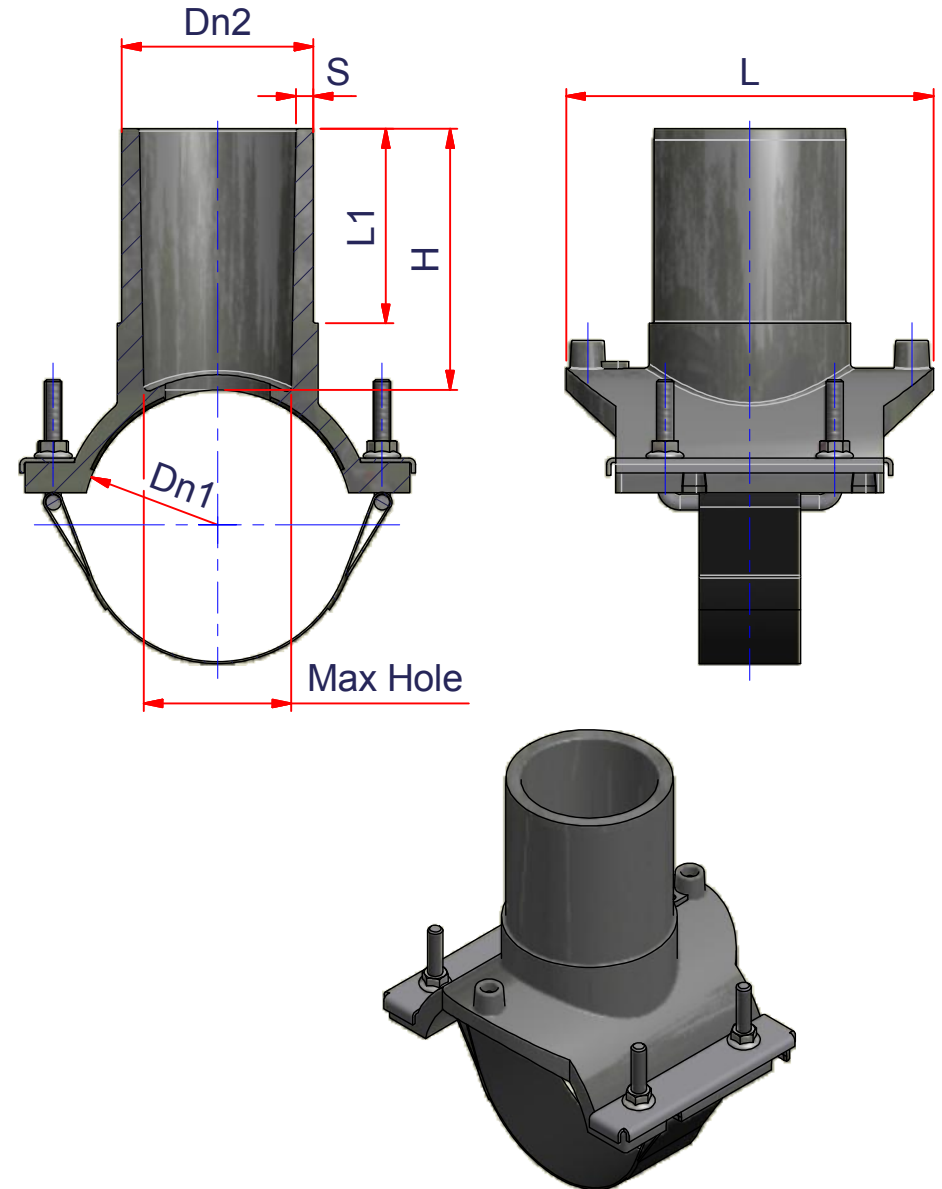
DRAWING No:
EL10158

SHEET OF REV.
2 5 -1

www.nupigeco.com - info@nupigeco.com

All dimensions have to be considered in millimeters with 5% tolerance if not otherwise mentioned

CODE	Dn1	Dn2	S	L1	L	H	Max Hole
12ECOL07550	75	50	4,6	65	140	100	38
12ECOL09050	90	50	4,6	65	140	100	38
12ECOL11050	110	50	4,6	65	140	100	38
12ECOL12550	125	50	4,6	65	140	100	38
12ECOL14050	140	50	4,6	65	140	100	38
12ECOL16050	160	50	4,6	65	140	100	38
12ECOL18050	180	50	4,6	65	140	100	38
12ECOL20050	200	50	4,6	65	140	100	38
12ECOL22550	225	50	4,6	65	140	100	38
12ECOL25050	250	50	4,6	65	140	100	38
12ECOL28050	280	50	4,6	65	140	100	38
12ECOL31550	315	50	4,6	65	140	100	38
12ECOL07563	75	63	5,8	65	140	100	44
12ECOL14063	140	63	5,8	65	140	100	44
12ECOL16063	160	63	5,8	65	140	100	44
12ECOL18063	180	63	5,8	65	140	100	44
12ECOL20063	200	63	5,8	65	140	100	44
12ECOL22563	225	63	5,8	65	140	100	44
12ECOL25063	250	63	5,8	65	140	100	44
12ECOL28063	280	63	5,8	65	140	100	44
12ECOL31563	315	63	5,8	65	140	100	44



ITEM: **ECOL**

DESC: COLLARE DI PRESA A TRONCHETTO CON CINGHIA
BRANCH SADDLE WITH BELT
PE100 SDR11 PFA/PN16



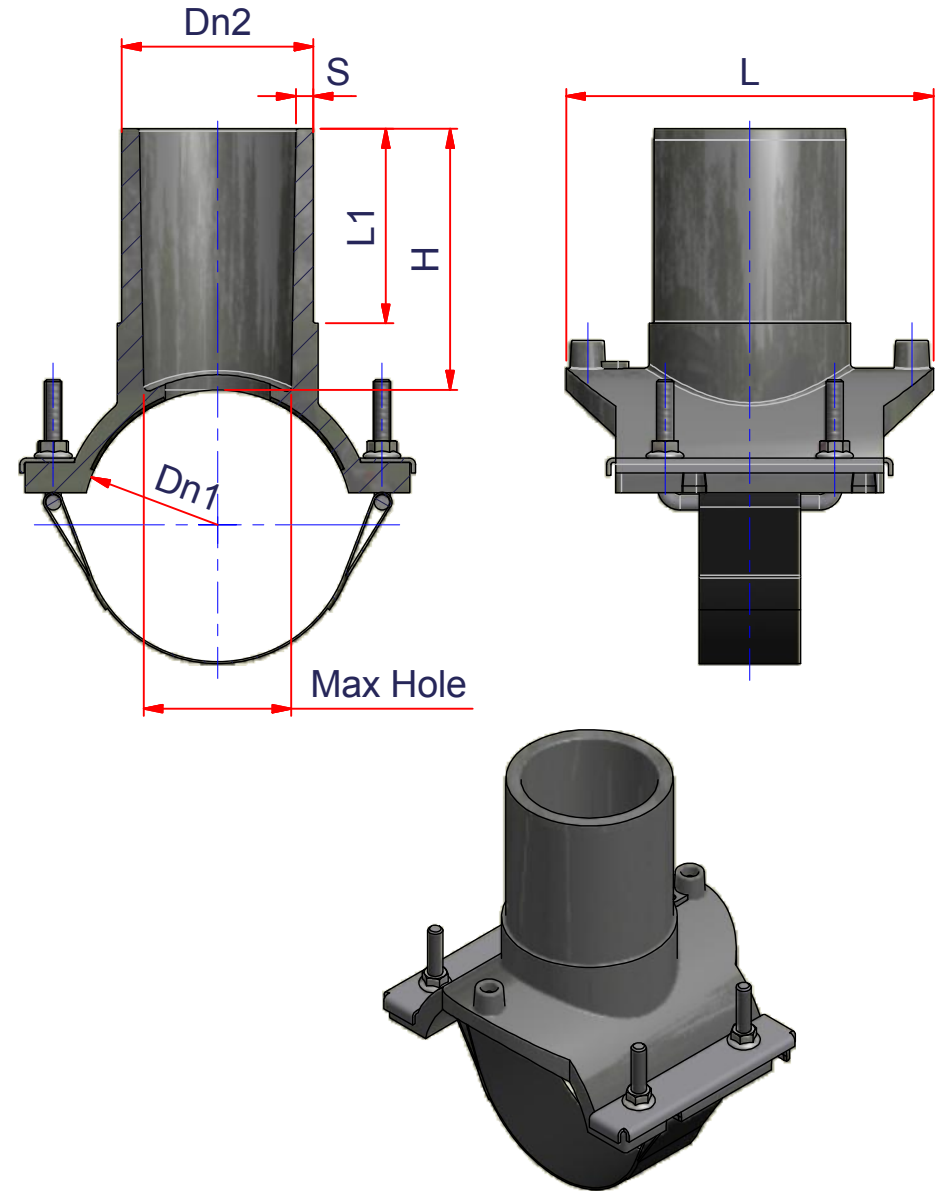
DRAWING No:
EL10158

SHEET OF REV.
3 5 -1

www.nupigeco.com - info@nupigeco.com

All dimensions have to be considered in millimeters with 5% tolerance if not otherwise mentioned

CODE	Dn1	Dn2	S	L1	L	H	Max Hole
12ECOL11075	110	75	6,8	90	170	120	59
12ECOL12575	125	75	6,8	90	170	120	59
12ECOL14075	140	75	6,8	90	170	120	59
12ECOL16075	160	75	6,8	90	170	120	59
12ECOL18075	180	75	6,8	90	170	120	59
12ECOL20075	200	75	6,8	90	170		
12ECOL12590	125	90	8,2	90	170	120	70
12ECOL14090	140	90	8,2	90	170	120	70
12ECOL16090	160	90	8,2	90	170	120	70
12ECOL18090	180	90	8,2	90	170	120	70
12ECOL20090	200	90	8,2	90	170	120	70
12ECOL22590	225	90	8,2	98	200	130	70
12ECOL25090	250	90	8,2	98	200	130	70
12ECOL28090	280	90	8,2	98	200	130	70
12ECOL31590	315	90	8,2	98	200	130	70
12ECOL125110	125	110	10	90	200	140	87
12ECOL160110	160	110	10	98	200	130	87
12ECOL180110	180	110	10	98	200	130	87
12ECOL200110	200	110	10	98	200	130	87
12ECOL225110	225	110	10	98	200	130	87
12ECOL250110	250	110	10	98	200	130	87
12ECOL280110	280	110	10	98	200	130	87
12ECOL315110	315	110	10	98	200	130	87



ITEM: **ECOL**

DESC: COLLARE DI PRESA A TRONCHETTO CON CINGHIA
BRANCH SADDLE WITH BELT
PE100 SDR11 PFA/PN16

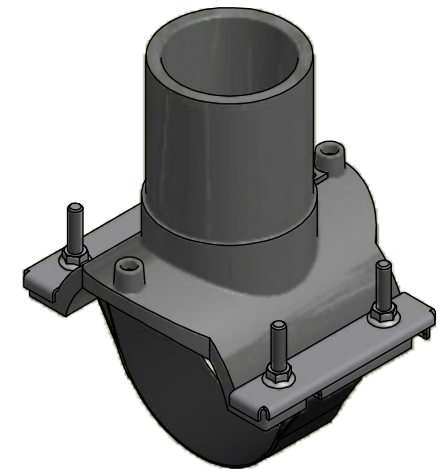
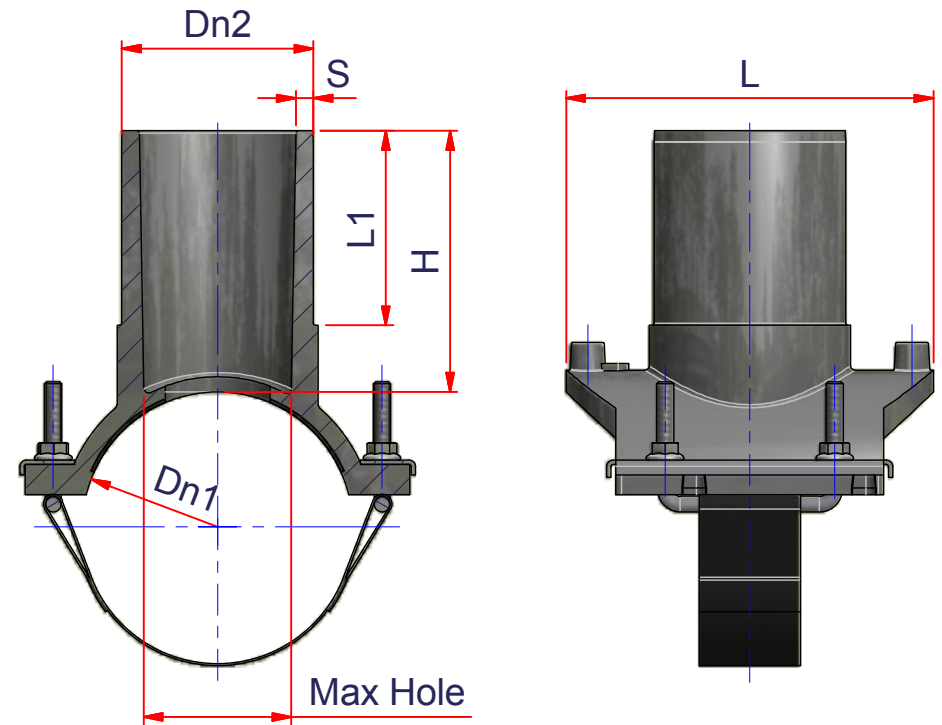


DRAWING No:
EL10158

SHEET OF REV.
4 5 -1

www.nupigeco.com - info@nupigeco.com

All dimensions have to be considered in millimeters with 5% tolerance if not otherwise mentioned



CODE	Dn1	Dn2	S	L1	L	H	Max Hole
12ECOL160125	160	125	11,4	98	200	130	100
12ECOL180125	180	125	11,4	98	200	130	100
12ECOL200125	200	125	11,4	98	200	130	100
12ECOL225125	225	125	11,4	98	200	130	100
12ECOL250125	250	125	11,4	98	200	130	100
12ECOL280125	280	125	11,4	98	200	130	100
12ECOL315125	315	125	11,4	98	200	130	100

EloFIT
nupigeco

ITEM: **ECOL**

DESC: COLLARE DI PRESA A TRONCHETTO CON CINGHIA
BRANCH SADDLE WITH BELT
PE100 SDR11 PFA/PN16



DRAWING No:
EL10158

SHEET OF REV.
5 5 -1

www.nupigeco.com - info@nupigeco.com

All dimensions have to be considered in millimeters with 5% tolerance if not otherwise mentioned