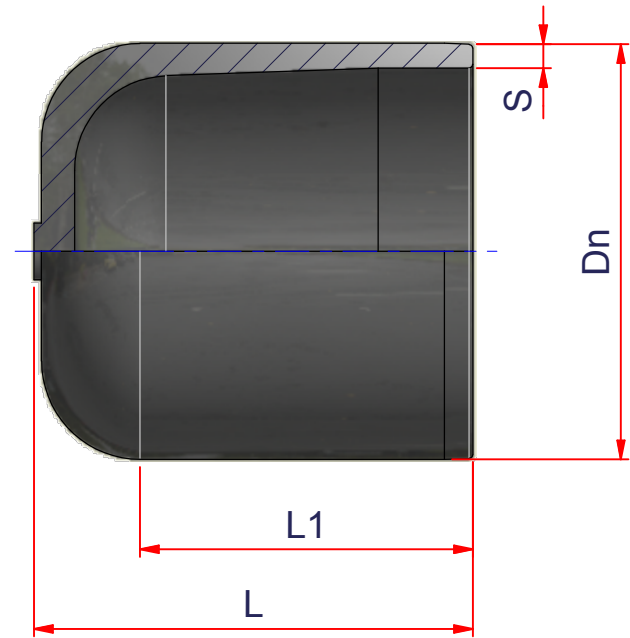


CODE	Dn	S	L1	L
12DCAL063	63	3,8	70	87
12DCAL075	75	4,5	75	95
12DCAL090	90	5,4	81	105
12DCAL110	110	6,6	88	116
12DCAL125	125	7,4	95	128
12DCAL140	140	8,3	100	116
12DCAL160	160	9,5	108	142
12DCAL180	180	10,7	95	113
12DCAL200	200	11,9	136	169
12DCAL225	225	13,4	127	145
12DCAL250	250	14,8	117	150
12DCAL280	280	16,6	112	117



EIOFIT

ITEM:

DCAL

DESC: CALOTTA A CODOLO LUNGO
CAP LONG SPIGOT
PE100 SDR17 PFA/PN10

C:\TEMP\07b88d12-cf17-4bb8-b31c-47b16845e439\Disegni\Schede
Tecniche\Elofit metric\Butt fusion fittings\EL10107.dwg

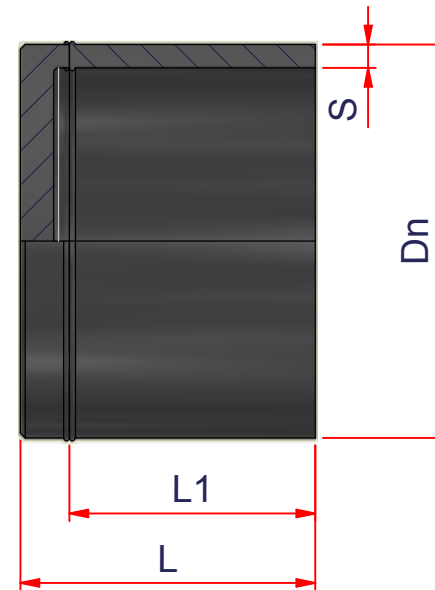


DRAWING No:
EL10107

SHEET OF REV.
1 2 -2

www.nupiindustriaitaliane.com - info@nupinet.com

All dimensions have to be considered in millimeters with 5% tolerance if not otherwise mentioned excluding values as per standard EN 1555 (gas) and/or EN 12201 (water)



CODE	Dn	S	L1	L
12DCLA315	315	18,8	157	208
12DCAL355	355	21,1	145	245
12DCAL400	400	23,7	178	300
12DCAL450	450	26,7	180	250
12DCAL500	500	29,7	200	270
12DCAL560	560	33,2	220	290
12DCAL630	630	37,4	240	310
12DCAL710	710	42,1	-	-



EIOFIT

ITEM: **DCAL**

C:\TEMP\07b88d12-cf17-4bb8-b31c-47b16845e439\Disegni\Schede
Tecniche\Elofit metric\Butt fusion fittings\EL10107.dwg

DESC: CALOTTA A CODOLO LUNGO
CAP LONG SPIGOT
PE100 SDR17 PFA/PN10



DRAWING No:
EL10107

SHEET OF	REV.
2 2	-2

www.nupiindustriaitaliane.com - info@nupinet.com

All dimensions have to be considered in millimeters with 5% tolerance if not otherwise mentioned excluding values as per standard EN 1555 (gas) and/or EN 12201 (water)