

CODE	Dn	S	L1	H
12EC032	32	3,0	50	121
12EC040	40	3,7	58	135
12EC050	50	4,6	59	145
12EC063	63	5,8	69	175
12EC075	75	6,8	75	205
12EC090	90	8,2	90	235
12EC110	110	10,0	87	242
12EC125	125	11,4	95	264,5
12EC140	140	12,7	97	287
12EC160	160	14,6	103	311
12EC180	180	16,4	110	369
12EC200	200	18,2	117	402
12EC225	225	20,5	125	436
12EC250	250	22,7	135	462
12EC280	280	25,4	140	520
12EC315	315	28,6	160	570



EloFIT

ITEM: **EC**

DESC: GOMITO 45° CODOLO LUNGO
45° ELBOW LONG SPIGOT
PE100 SDR11 PFA/PN16

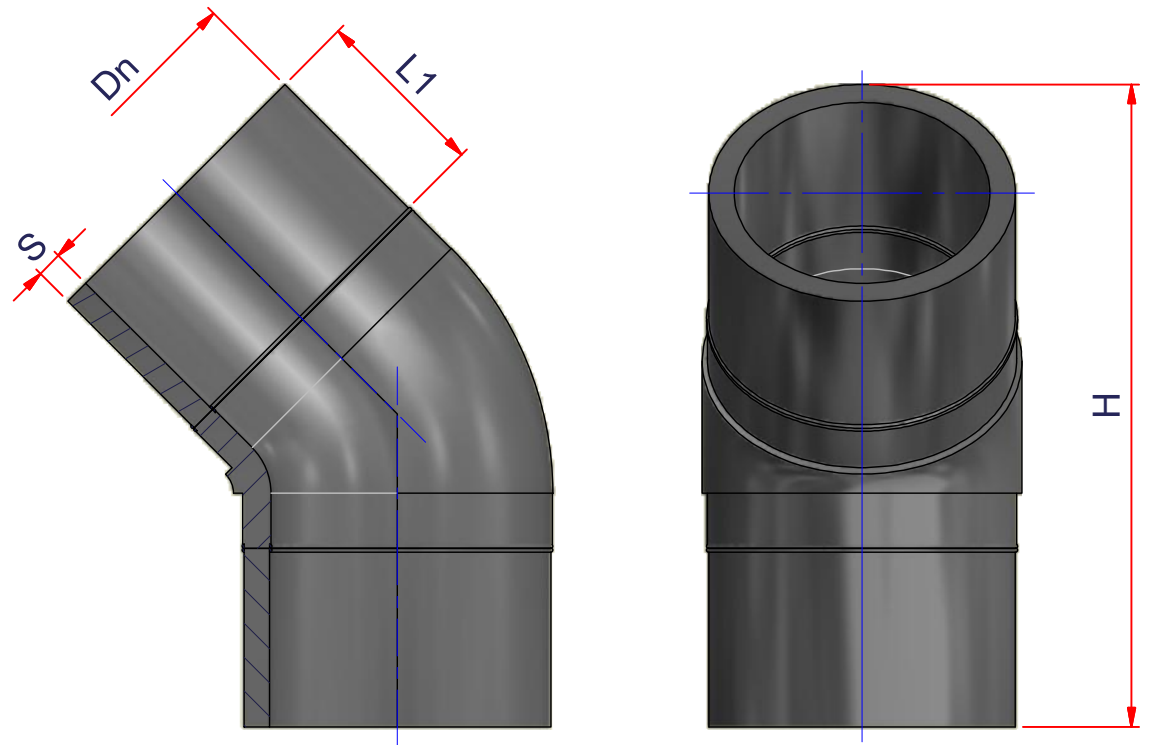


DRAWING No:
EL10074

SHEET OF REV.
1 2 -2

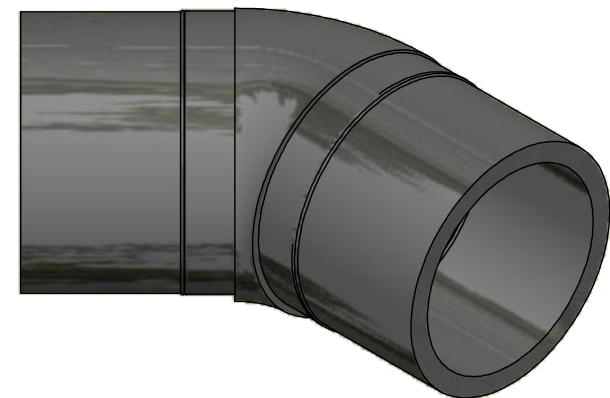
www.nupiindustriaitaliane.com - info@nupinet.com

All dimensions have to be considered in millimeters with 5% tolerance if not otherwise mentioned excluding values as per standard EN 1555 (gas) and/or EN 12201 (water)



CODE	Dn	S	L1	H
12EC355 *	355	32,3	210	700
12EC400 *	400	36,4	300	860
12EC450 *	450	40,9	300	960
12EC500 *	500	45,4	300	980

* RACCORDO A CODOLO CORTO PROLUNGATO CON TUBO PE
SHORT SPIGOT FITTING EXTENDED WITH PE PIPE



EloFIT

ITEM: **EC**

DESC: GOMITO 45° CODOLO LUNGO
45° ELBOW LONG SPIGOT
PE100 SDR11 PFA/PN16



DRAWING No:
EL10074

SHEET OF REV.
2 2 -2

www.nupiindustriaitaliane.com - info@nupinet.com

All dimensions have to be considered in millimeters with 5% tolerance if not otherwise mentioned excluding values as per standard EN 1555 (gas) and/or EN 12201 (water)