

CODE	Dn	S	L1	H
12DC063	63	3,8	70	175
12DC075	75	4,5	75	205
12DC090	90	5,4	90	235
12DC110	110	6,6	87	242
12DC125	125	7,4	95	264,5
12DC140	140	8,3	97	287
12DC160	160	9,5	103	311
12DC180	180	10,7	110	369
12DC200	200	11,9	117	402
12DC225	225	13,4	125	436
12DC250	250	14,8	135	462
12DC280	280	16,6	140	520
12DC315	315	18,7	160	570



EloFIT

ITEM: DC

DESC: GOMITO 45° CODOLO LUNGO
45° ELBOW LONG SPIGOT
PE100 SDR17 PFA/PN10

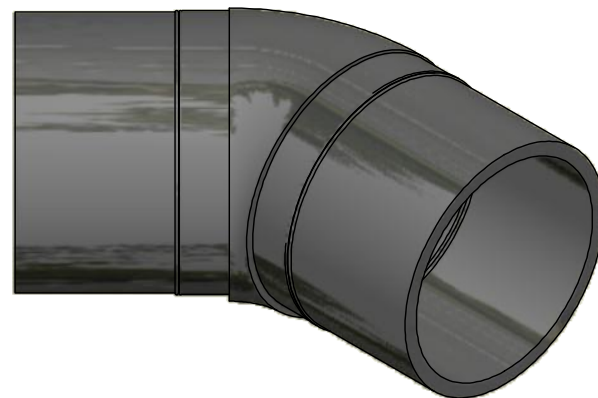
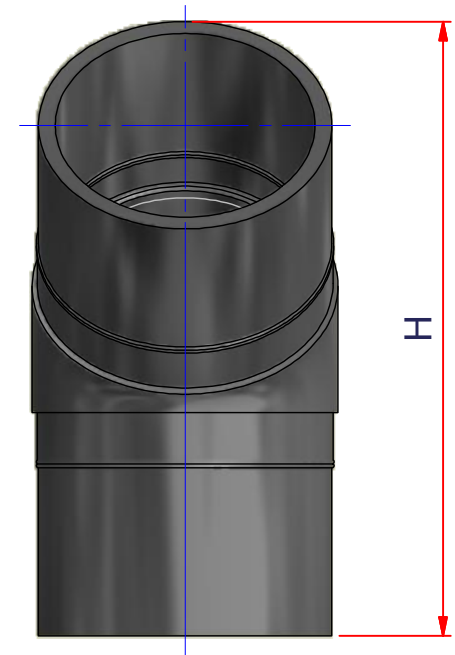
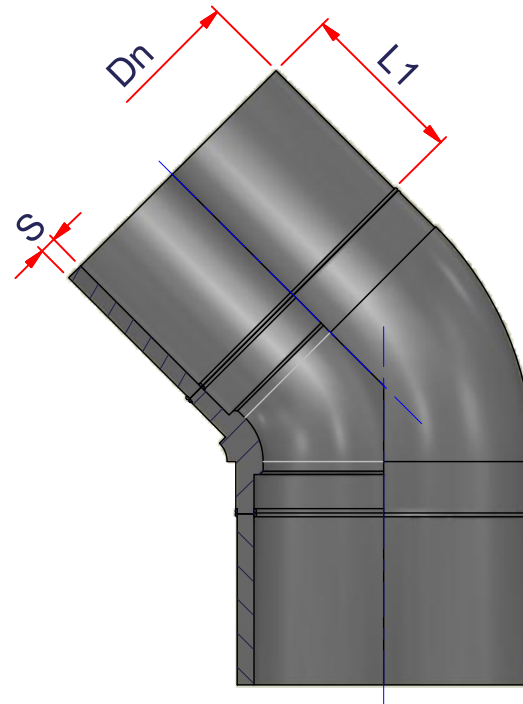


DRAWING No:
EL10072

SHEET OF REV.
1 2 -2

www.nupiindustriaitaliane.com - info@nupinet.com

All dimensions have to be considered in millimeters with 5% tolerance if not otherwise mentioned excluding values as per standard EN 1555 (gas) and/or EN 12201 (water)



CODE	Dn	S	L1	H
12DC355 *	355	21,1	210	700
12DC400 *	400	23,7	300	860
12DC450 *	450	26,7	300	960
12DC500 *	500	29,7	300	980

* RACCORDO A CODOLO CORTO PROLUNGATO CON TUBO PE
SHORT SPIGOT FITTING EXTENDED WITH PE PIPE



EloFIT

ITEM: DC

C:\Vault_Temp\Disegni\Corinna\Tabelle\Elofit\Raccordi a codolo\DC\EL10072.dwg

DESC: GOMITO 45° CODOLO LUNGO
45° ELBOW LONG SPIGOT
PE100 SDR17 PFA/PN10



DRAWING No:
EL10072

SHEET OF REV.
2 2 -2

www.nupiindustriaitaliane.com - info@nupinet.com

All dimensions have to be considered in millimeters with 5% tolerance if not otherwise mentioned excluding values as per standard EN 1555 (gas) and/or EN 12201 (water)