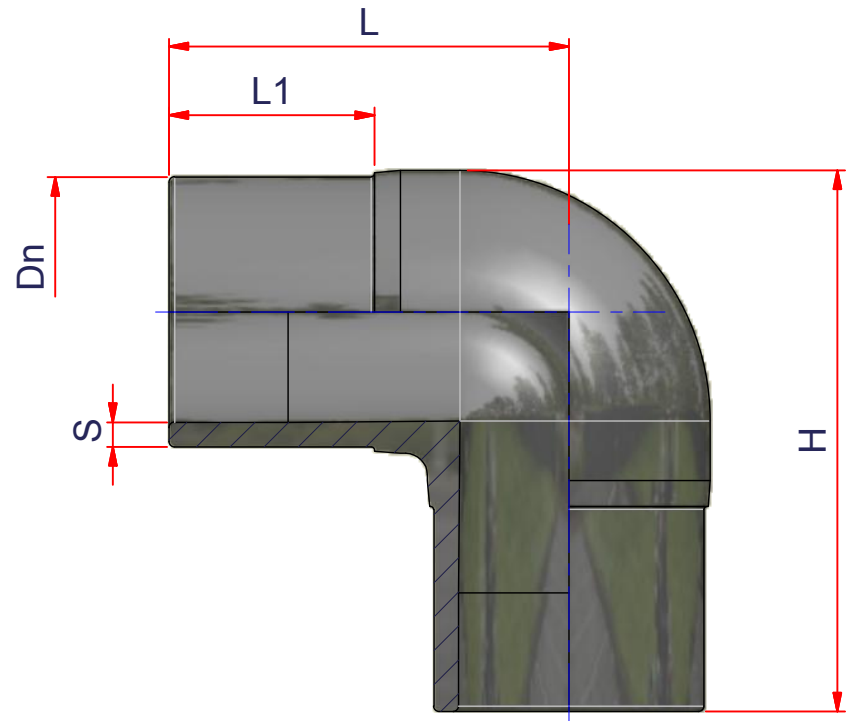


| CODE | Dn | S | L1 | L | H |
|---------|-----|------|-----|-----|-------|
| 12EG025 | 25 | 3,0 | 45 | 70 | 84 |
| 12EG032 | 32 | 3,0 | 50 | 75 | 93 |
| 12EG040 | 40 | 3,7 | 55 | 85 | 107 |
| 12EG050 | 50 | 4,6 | 55 | 90 | 120 |
| 12EG063 | 63 | 5,8 | 70 | 120 | 154 |
| 12EG075 | 75 | 6,8 | 75 | 130 | 171 |
| 12EG090 | 90 | 8,2 | 89 | 146 | 197 |
| 12EG110 | 110 | 10,0 | 87 | 155 | 212,5 |
| 12EG125 | 125 | 11,4 | 95 | 184 | 250,5 |
| 12EG140 | 140 | 12,7 | 97 | 195 | 268 |
| 12EG160 | 160 | 14,6 | 101 | 210 | 293,5 |
| 12EG180 | 180 | 16,4 | 109 | 230 | 323,5 |
| 12EG200 | 200 | 18,2 | 116 | 250 | 354 |
| 12EG225 | 225 | 20,5 | 125 | 275 | 392 |
| 12EG250 | 250 | 22,7 | 135 | 305 | 435 |
| 12EG280 | 280 | 25,4 | 140 | 340 | 485 |
| 12EG315 | 315 | 28,6 | 165 | 360 | 518 |



EloFIT

ITEM: **EG**

C:\Vault_Temp\Disegni\Corinna\Tabelle\Elofit\Raccordi a codolo\Egi\EL10069.dwg

DESC: GOMITO 90° CODOLO LUNGO
90° ELBOW LONG SPIGOT
PE100 SDR11 PFA/PN16

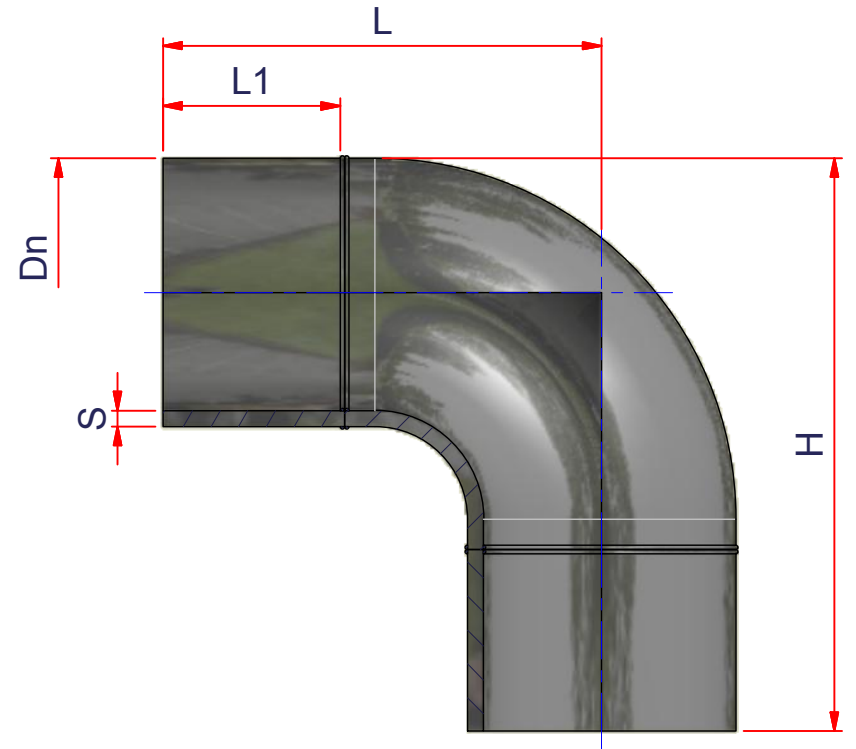


DRAWING No:
EL10069

| | |
|----------|------|
| SHEET OF | REV. |
| 1 2 | -3 |

www.nupiindustriaitaliane.com - info@nupinet.com

All dimensions have to be considered in millimeters with 5% tolerance if not otherwise mentioned excluding values as per standard EN 1555 (gas) and/or EN 12201 (water)



| CODE | Dn | S | L1 | L | H |
|----------|-----|------|-----|-----|-------|
| 12EG355* | 355 | 32,2 | 210 | 550 | 727,5 |
| 12EG400* | 400 | 36,3 | 300 | 645 | 845 |
| 12EG450* | 450 | 40,9 | 300 | 745 | 970 |
| 12EG500* | 500 | 45,4 | 300 | 745 | 995 |

* RACCORDO A CODOLO CORTO PROLUNGATO CON TUBO PE
SHORT SPIGOT FITTING EXTENDED WITH PE PIPE



EloFIT

ITEM: **EG**

C:\Vault_Temp\Disegni\Corinna\Tabelle\Elofit\Raccordi a codolo\Egi\EL10069.dwg

DESC: GOMITO 90° CODOLO LUNGO
90° ELBOW LONG SPIGOT
PE100 SDR11 PFA/PN16



DRAWING No:
EL10069

| | |
|----------|------|
| SHEET OF | REV. |
| 2 2 | -3 |

www.nupiindustriaitaliane.com - info@nupinet.com

All dimensions have to be considered in millimeters with 5% tolerance if not otherwise mentioned excluding values as per standard EN 1555 (gas) and/or EN 12201 (water)