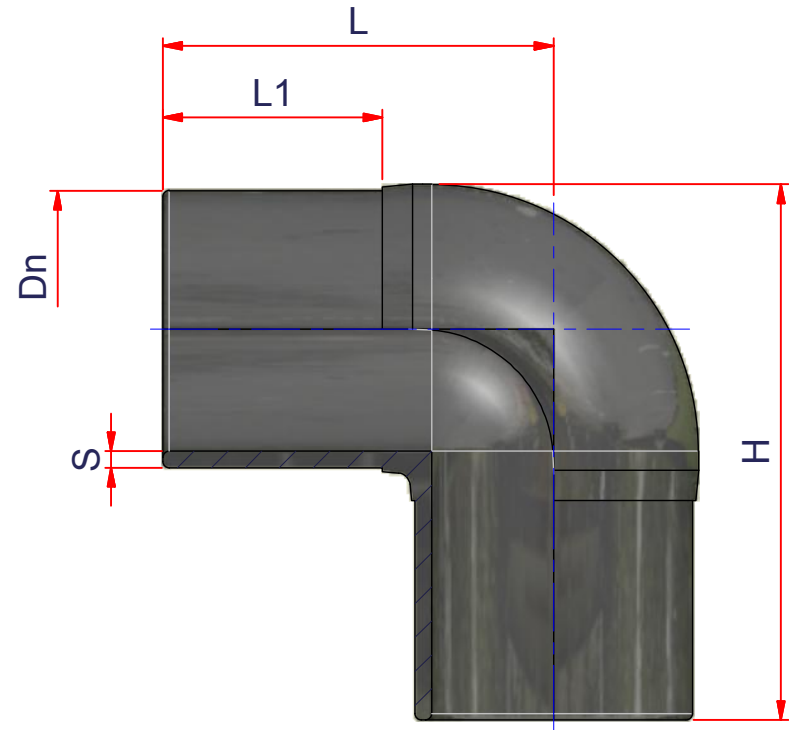


CODE	Dn	S	L1	L	H
12DG063	63	3,8	70	120	154
12DG075	75	4,5	70	130	154
12DG090	90	5,4	89	146	197
12DG110	110	6,6	87	155	212,5
12DG125	125	7,4	95	185	250,5
12DG140	140	8,3	97	195	268
12DG160	160	9,5	101	210	293,5
12DG180	180	10,7	109	230	323,5
12DG200	200	11,9	116	250	354
12DG225	225	13,4	125	275	392
12DG250	250	14,8	135	305	435
12DG280	280	16,6	140	340	485
12DG315	315	18,7	165	360	518



EloFIT

ITEM: **DG**

DESC: GOMITO 90° CODOLO LUNGO
90° ELBOW LONG SPIGOT
PE100 SDR17 PFA/PN10

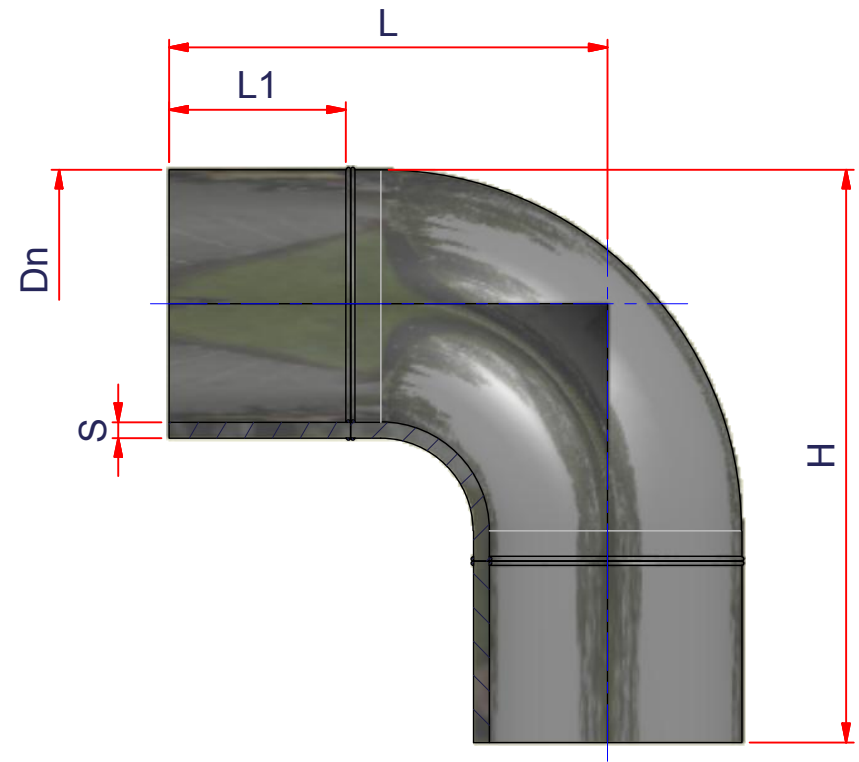


DRAWING No:
EL10068

SHEET OF REV.
1 2 -3

www.nupiindustriaitaliane.com - info@nupinet.com

All dimensions have to be considered in millimeters with 5% tolerance if not otherwise mentioned excluding values as per standard EN 1555 (gas) and/or EN 12201 (water)



CODE	Dn	S	L1	L	H
12DG355*	355	21,1	210	550	727,5
12DG400*	400	23,7	300	640	840
12DG450*	450	26,7	300	745	970
12DG500*	500	29,7	300	745	995



* RACCORDO A CODOLO CORTO PROLUNGATO CON TUBO PE
SHORT SPIGOT FITTING EXTENDED WITH PE PIPE



EloFIT

ITEM: DG

C:\Vault_Temp\Disegni\Corinna\Tabelle\Elofit\Raccordi a codoloDg\EL10068.dwg

DESC: GOMITO 90° CODOLO LUNGO
90° ELBOW LONG SPIGOT
PE100 SDR17 PFA/PN10



DRAWING No:
EL10068

SHEET OF REV.
2 2 -3

www.nupiindustriaitaliane.com - info@nupinet.com

All dimensions have to be considered in millimeters with 5% tolerance if not otherwise mentioned excluding values as per standard EN 1555 (gas) and/or EN 12201 (water)