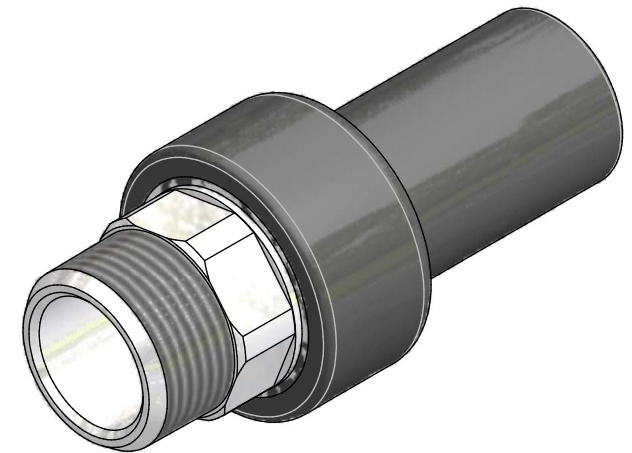


CODE	Dn	S	L1	D2	F	LF min	L	D	CH	LCH
12ERFMSS2012	20	3	44	13	1/2"	13,2	100	36	22	11
12ERFMSS2534	25	3	44	18	3/4"	14,5	103	41	27	12
12ERFMSS321	32	3	48	24	1"	16,8	110	50	34	13
12ERFMSS401	40	3,7	55	24	1"	16,8	115	50	34	13
12ERFMSS40114	40	3,7	53	31	1 1/4"	19,1	124	63	42	15
12ERFMSS50112	50	4,6	61	38	1 1/2"	19,1	132	70	50	15
12ERFMSS632	63	5,8	69	49	2"	23,4	148	83	60	18
12ERFMSS75212	75	6,8	80	60	2 1/2"	26,7	163	107	80	20
12ERFMSS903	90	8,2	87	71	3"	29,8	183	118	90	23
12ERFMSS1104	110	10	85	90	4"	35,8	202	153	115	30
12ERFMSS1254	125	11,4	95	99	4"	35,8	214	153	115	30



EloFIT

ITEM: ERFMSS

C:\Vault_Temp\Disegni\Schede Tecniche\Elofit metric\Transition fittings\EL10129.dwg

DESC: CODOLO DI TRANSIZIONE PE/ACCIAIO INOX
FILETTATO MASCHIO
PE/STAINLESS STEEL MALE THREADED SHORT
TRANSITION FITTING
PE100 SDR11 PFA/PN16



DRAWING No:
EL10129

SHEET OF REV.
1 1 -1

www.nupiindustriaitaliane.com - info@nupinet.com

All dimensions have to be considered in millimeters with 5% tolerance if not otherwise mentioned excluding values as per standard EN 1555 (gas) and/or EN 12201 (water)